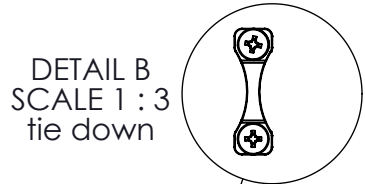
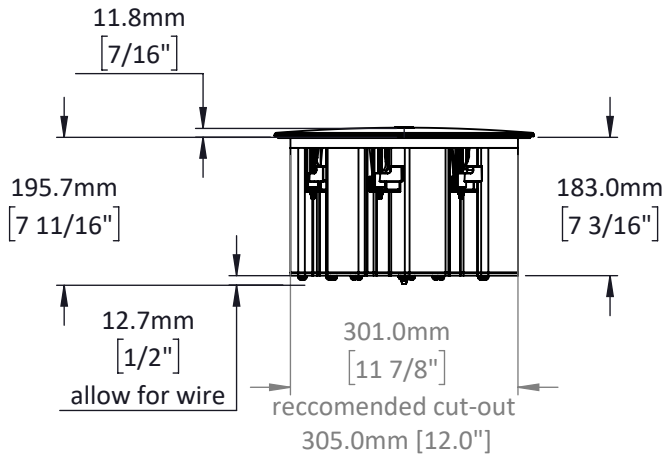


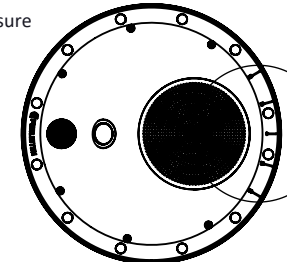
Notes:

1. mounting depth: 7-3/16(195.7) to 7-11/16"(183.0) with wire
2. mtg depth without enclosure: 5-9/16"(141.3)
3. min stud size: 2x8" or 2x6" without enclosure
4. mounting diameter: 11-7/8"(301.0)
5. recommended cutout: 12" (305mm)
6. recommended drywall thickness: 5/8"(15.9) - 1-1/2"(38.1)
7. mounting leg clamp range: 1/2"(12.7) - 1-5/8"(41.2)

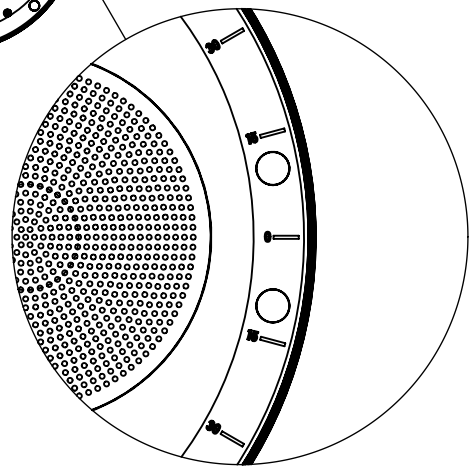
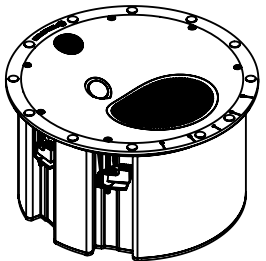
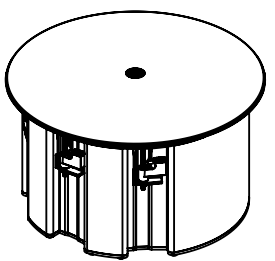
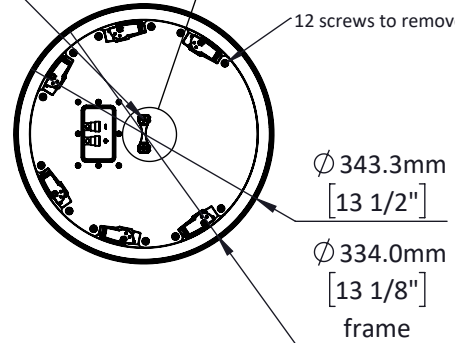
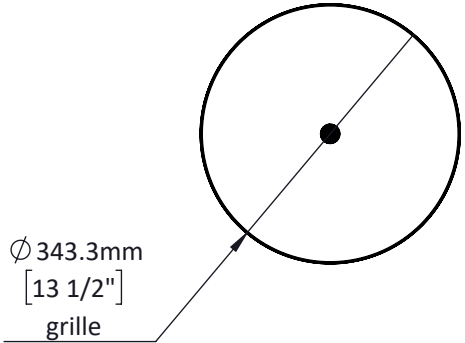


tie down for hanger wire

12 screws to remove enclosure




DETAIL A SCALE 1 : 3 mounting angle guides



REVISIONS

REV.	DESCRIPTION	DATE
3	added detail view	7/11/2023
4	tie down detail added	8/20/2023
5	grille dimension	8/25/2023

PROPRIETARY AND CONFIDENTIAL
 THE INFORMATION CONTAINED IN THIS DRAWING IS THE SOLE PROPERTY OF PERLISTEN AUDIO, LLC. ANY REPRODUCTION IN PART OR AS A WHOLE WITHOUT THE WRITTEN PERMISSION OF PERLISTEN AUDIO, LLC IS PROHIBITED.

NAME	DATE	 <small>perceptual listening experience</small>
	8/25/2023	
TITLE:		Dimensions
SIZE	DWG. NO.	REV
A	Perlisten_R3ic_Architectura	5
SCALE: 1:10		SHEET 1 OF 1