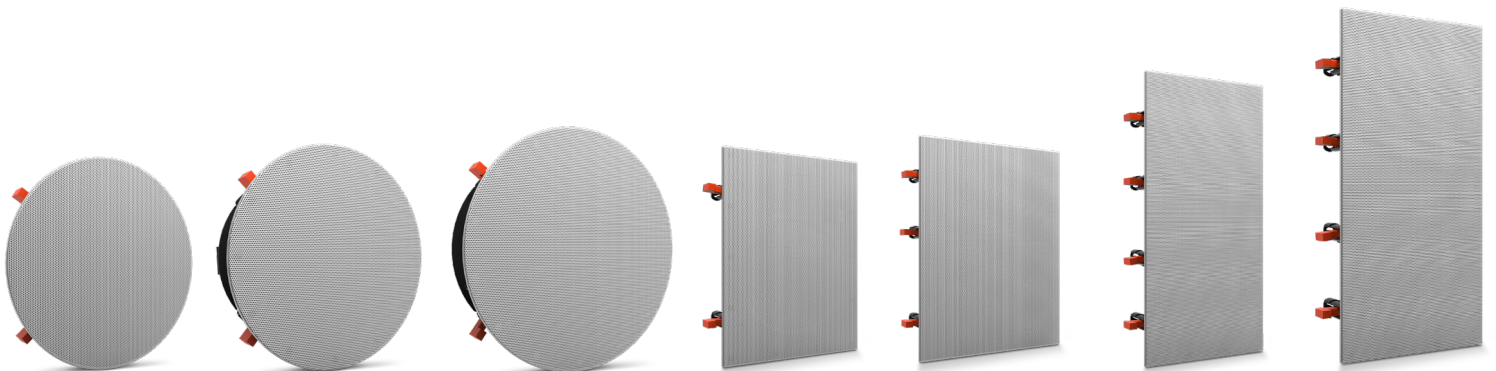




STUDIO 2 SERIES

Premium Architectural Loudspeakers



Incredible sound. Invisible profile. Inspired aesthetic.

The JBL Studio 2 architectural series premium loudspeakers represent best in class architectural audio. A PolyPlas® woofer cone, CMMD@ lite tweeter and advanced crossover network ensure low distortion and accurate sound reproduction, and the pivoting, adjustable-level tweeter can compensate for any acoustical room conditions. The proprietary JBL High Definition Imaging (HDI) waveguide ensures that the loudspeaker fills the room with cinema-quality sound from any location – even high elevations or off-axis listening locations. The JBL Studio 2 architectural series features a nearly invisible, paintable, zero-bezel profile that blends into any environment. The sturdy, reliable design features the XL-2 bracket, suitable for installation in any wall or ceiling up to 2" thick. The series is engineered to match the award-winning JBL Studio 2 component loudspeakers, and is perfect for a complete custom home theater or whole-house audio applications.

Features

- ▶ Sound Inspired by JBL's legendary M2 Master Reference Monitor
- ▶ Paintable, nearly invisible zero-bezel magnetic grille
- ▶ Superior XL-2 installation bracket
- ▶ Pivoting Tweeters
- ▶ Tweeter Audio Level Adjustment



STUDIO 2 SERIES

Premium Architectural Loudspeakers

Features and Benefits

Sound Inspired by JBL's legendary M2 Master Reference Monitor

High Definition Imaging (HDI) waveguide technology takes its cues from the legendary JBL M2 Master Reference Monitor. Computer-optimized driver positioning and network integration result in ideal performance and lifelike soundstage imaging throughout the entire room, regardless of positioning. Proven acoustic superiority through rigorous testing and real-world evaluation.

Paintable, nearly invisible zero-bezel magnetic grille

Speakers are nearly invisible, seamlessly blending into wall or ceiling architecture. Equally pleasing to audiophiles and interior designers as full-dispersion speakers can be fully painted and integrated into any configuration or setup. Engineered for the custom installer with a whole-room, seamless audio and visual design in mind.

Superior XL-2 installation bracket

Sturdy, reliable design fit for easy installation in walls up to a full 2" thick. Specialty mechanical grip designed to minimize vibration regardless of installation format. Handles custom installation better than typical 1-1/2" bracket designs.

Pivoting Tweeters

Pivoting tweeters let you target audio directly to your desired listening location. Install anywhere it suits you – even in high walls or ceilings – and adjust as needed. The apex of intelligent sound design and imaging.

Tweeter Audio Level Adjustment

Fine-tune high-frequency highs and lows up to 3dB to suit room conditions and personal taste. Take full room audio immersion one step further by perfecting the details. Compensate for any acoustical configuration.

What's in the box:

Main Unit • Magnetic Grille • Owner's Manual • Printed Mounting Template • Warranty Card



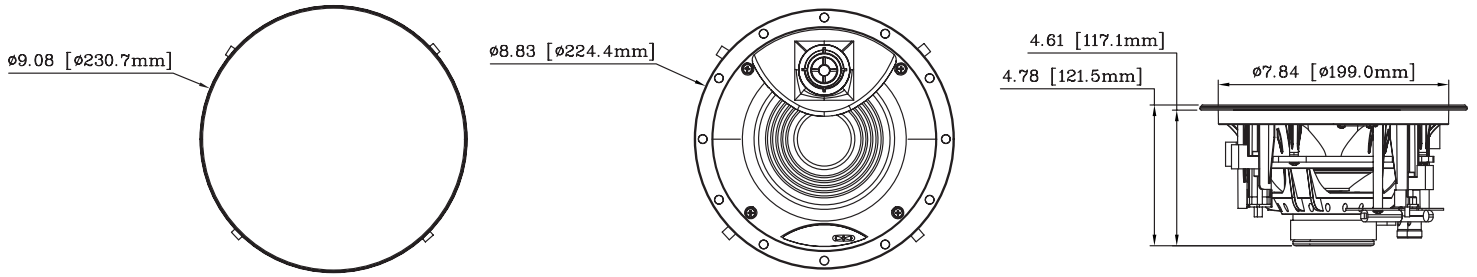
Feature	Studio 2 6IC	Studio 2 6ICDT	Studio 2 8IC	Studio 2 6IW	Studio 2 8IW	Studio 2 55IW	Studio 2 88IW
Impedance:	8 ohms	8 ohms	8 ohms	8 ohms	8 ohms	8 ohms	8 ohms
Recommended Amplifier Power:	80W	80W	100W	80W	100W	120W	150W
Frequency Response:	38Hz - 20kHz	38Hz - 20kHz	30Hz - 20kHz	38Hz - 20kHz	30Hz - 20kHz	40Hz - 20kHz	30Hz - 20kHz
Crossover Frequency:	2.5kHz	3.7kHz	2.1kHz	3.0kHz	2.8kHz	2.7kHz	2.8kHz
Loudspeaker Sensitivity:	86dB 2.83V @ 1m	86dB 2.83V @ 1m	88dB 2.83V @ 1m	86dB 2.83V @ 1m	88dB 2.83V @ 1m	88dB 2.83V @ 1m	88dB 2.83V @ 1m
Low Frequency Driver Size and Material	6-1/2" (165mm) Polyplas® Woofer	6-1/2" (165mm) Polyplas® Woofer	8" (203mm) Polyplas® Woofer	6-1/2" (165mm) Polyplas® Woofer	8" (203mm) Polyplas® Woofer	Dual 5-1/4" (133mm) Polyplas® Woofer	8" (203mm) Polyplas® Woofer
High Frequency Driver Size and Material	1" (25mm) Pivoting CMMD® Lite Tweeter	2 x 3/4" (19mm) Pivoting CMMD® Lite Tweeter	1" (25mm) Pivoting CMMD® Lite Tweeter	1" (25mm) Pivoting CMMD® Lite Tweeter	1" (25mm) Pivoting CMMD® Lite Tweeter	1" (25mm) Pivoting CMMD® Lite Tweeter	1" (25mm) Pivoting CMMD® Lite Tweeter
High Frequency Control	+/- 3dB	+/- 3dB	+/- 3dB	+/- 3dB	+/- 3dB	+/- 3dB	+/- 3dB
Cutout Dimensions:	(D) 8" (203mm)	(D) 8" (203mm)	(D) 9-5/8" (244mm)	(H x W) 9-13/16" x 7-9/32" (249mm x 185mm)	(H x W) 11-15/16" x 8-15/16" (303mm x 227mm)	(H x W) 14-1/8" x 6-13/32" (359mm x 163mm)	(H x W) 20-1/16" x 9" (510mm x 227mm)
Grille Finished Dimensions:	(D) 9-3/32" (231mm)	(D) 9-3/32" (231mm)	(D) 10-11/16" (272mm)	(H x W) 10-7/8" x 8-11/32" (276mm x 212mm)	(H x W) 13" x 10" (330mm x 254mm)	(H x W) 15-1/8" x 7-13/32" (384mm x 188mm)	(H x W) 21-3/16" x 10" (538mm x 254mm)
Mounting Depth:	4-11/16" (119mm)	4-11/16" (119mm)	5-13/64" (132mm)	3-19/32" (91mm)	3-13/16" (97mm)	3.0" (76mm)	3-13/16" (96mm)
Compatible Wall Material Thickness:	0.5" – 2.0" (12mm – 51mm)	0.5" – 2.0" (12mm – 51mm)	0.5" – 2.0" (12mm – 51mm)	0.5" – 2.0" (12mm – 51mm)	0.5" – 2.0" (12mm – 51mm)	0.5" – 2.0" (12mm – 51mm)	0.5" – 2.0" (12mm – 51mm)
Shipping Units of Measure:	Each	Each	Each	Each	Each	Each	Each
Warranty:	5 Years	5 Years	5 Years	5 Years	5 Years	5 Years	5 Years
Pre-Construction Bracket Part number	PCK6C	PCK6C	PCK8C	PCK6	PCK8	PCK55	-
Back Box Part Number	FBB6C	FBB6C	FBB8C	FBB6	FBB8	FBB55	-



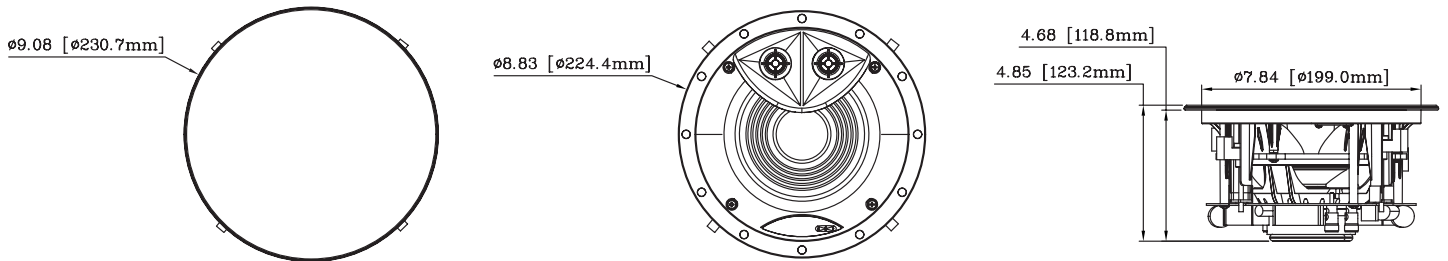
HARMAN International Industries, Incorporated
8500 Balboa Boulevard, Northridge, CA 91329 USA
www.jbl.com

© 2019 HARMAN International Industries, Incorporated. All rights reserved. JBL is a trademark of HARMAN International Industries, Incorporated, registered in the United States and/or other countries. Features, specifications and appearance are subject to change without notice.

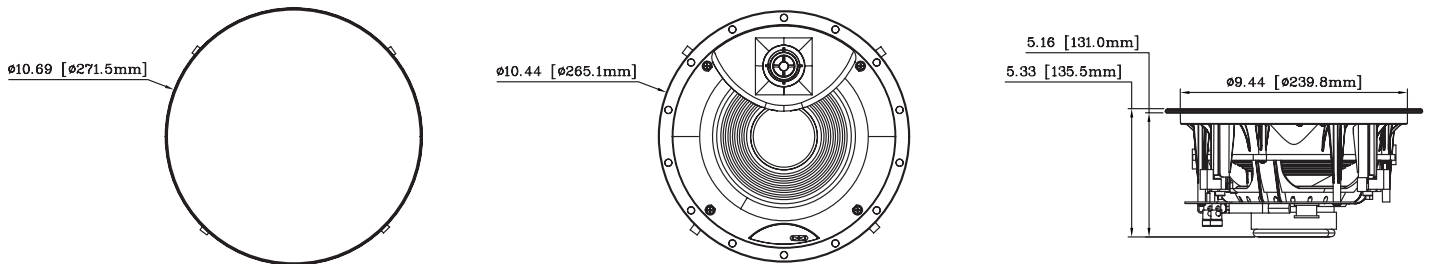
Studio 2 6IC



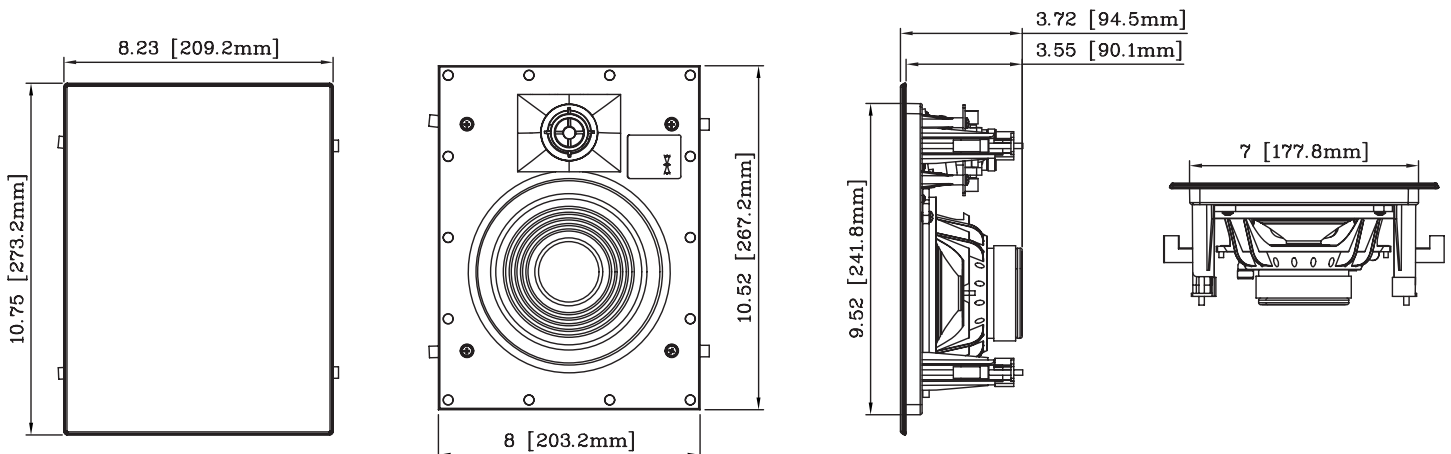
Studio 2 6ICDT



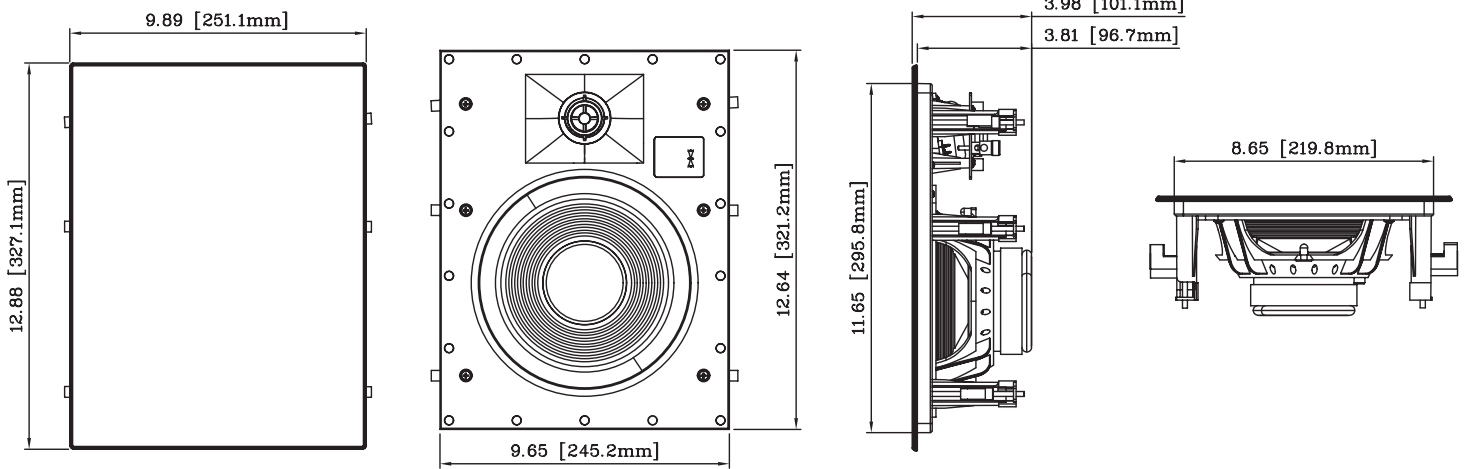
Studio 2 8IC



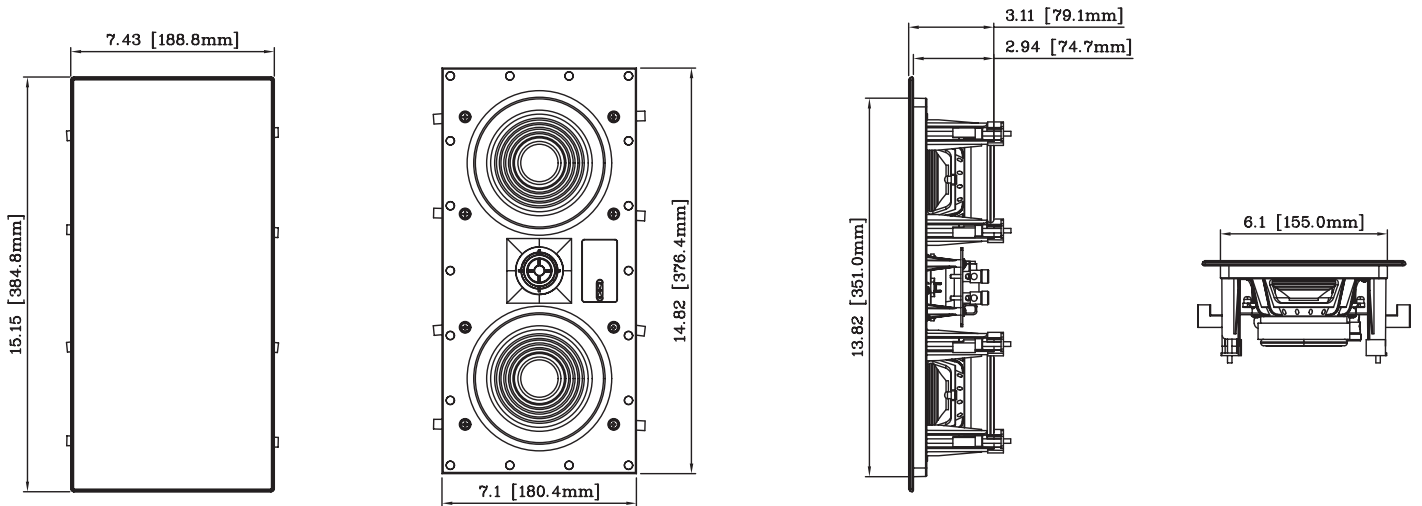
Studio 2 6IW



Studio 2 81W



Studio 2 551W



Studio 2 881W

