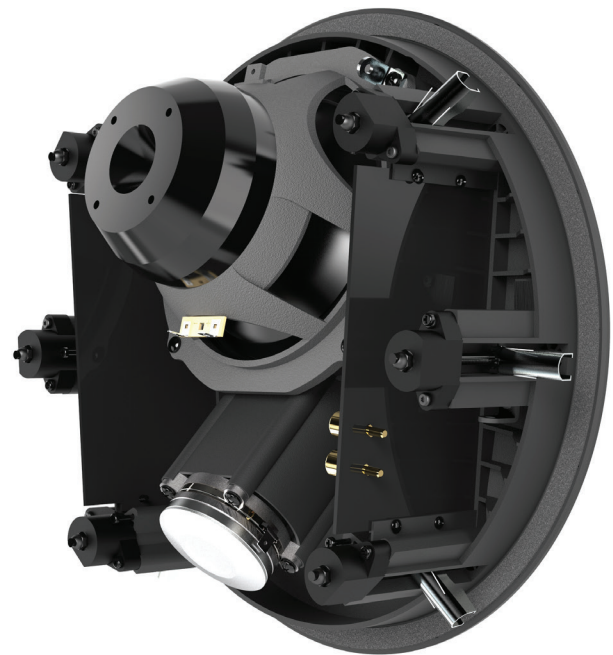


JBL SCL-5

2-Way 7-inch (180mm) In-Ceiling Loudspeaker

JBL



Highlights:

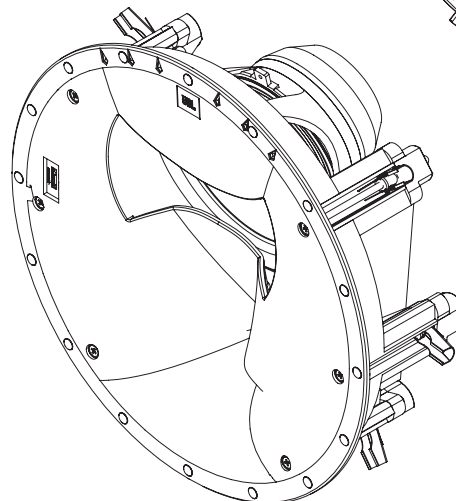
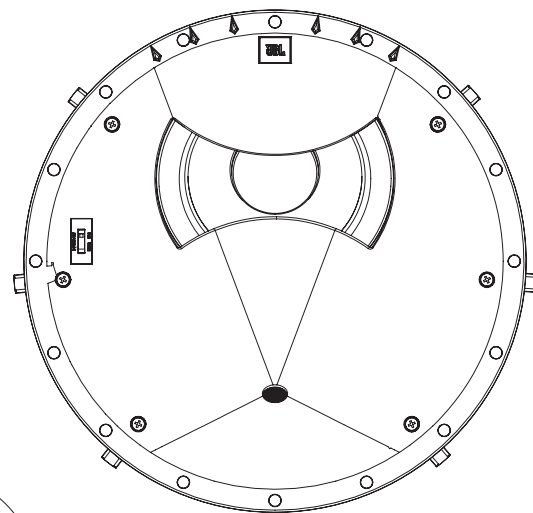
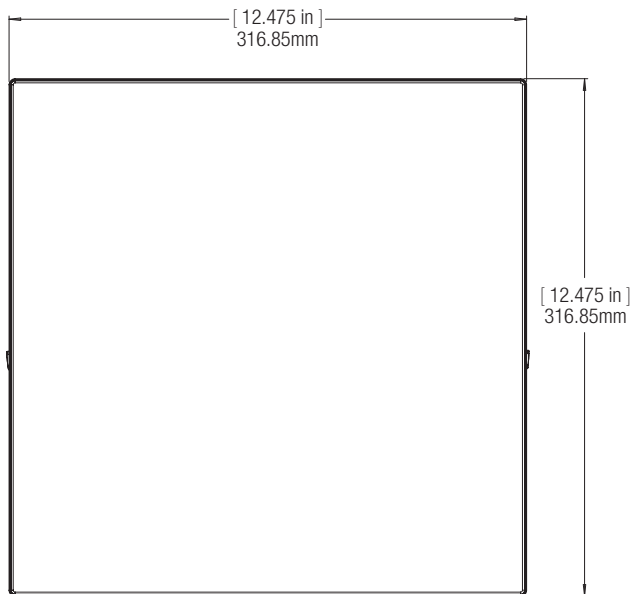
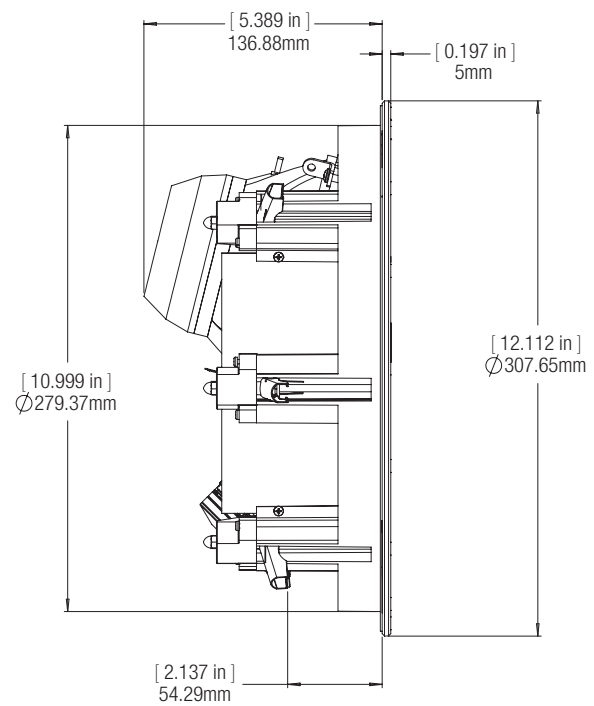
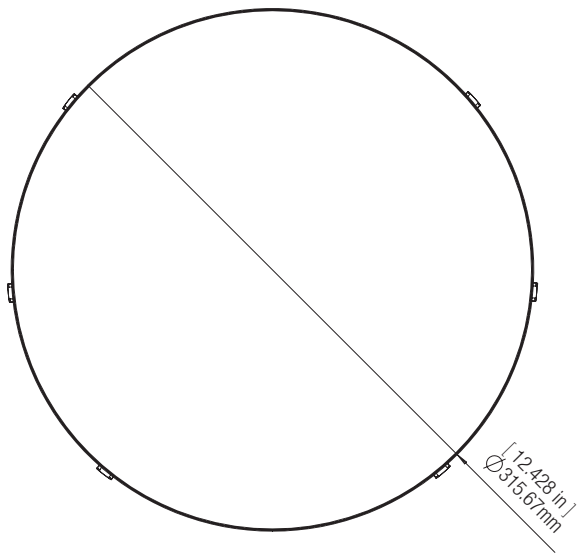
- 2-way in-ceiling loudspeaker system designed for off-axis listening as height, in-ceiling LCR and surround channels
- 1-inch 2409H compression driver tweeter mated to a JBL patented offset High-Definition Imaging (HDI™) horn assembly
- 7-inch (180mm) Advanced Aluminum Matrix cone, cast frame woofer with acoustic aperture waveguide baffle
- Patented Cat Claw installation mechanism
- Gold plated, spring-loaded binding posts
- Includes paintable round and square zero-bezel, magnetically attached grilles
- Compatible with CB10 pre-construction bracket

General Specifications:

- ▶ Type: 2-way In-ceiling loudspeaker
- ▶ Low Frequency Driver: 7" (180mm) advanced Aluminum Matrix cone cast-frame woofer (JW180PB-6)
- ▶ High Frequency Driver: 1" (25mm) 2409H Teonex® annular ring-diaphragm compression driver
- ▶ Recommended Amplifier Power: 25 – 125W RMS
- ▶ Impedance: 6 Ohm
- ▶ Loudspeaker Sensitivity: 86dB/2.83V/1m (2pi anechoic)
- ▶ Frequency Response: 48Hz – 32kHz (-6dB on-axis), 2pi anechoic
- ▶ Crossover Frequency: 1575Hz
- ▶ High Frequency Coverage Angle (-6dB): 60° Vertical (Up: 30°, Down: 30°, from 45° Vertical Center line), 120° Horizontal, from 2kHz to 10kHz
- ▶ Enclosure Type: Open back
- ▶ Controls: Boundary Proximity Control
- ▶ Grille Dimensions: Round: 12.5" (318mm) diam, Square: 12.5" (318mm) x 12.5" (318mm)
- ▶ Product Dimensions (with grille): 12.5" H x 12.5" W x 5.98" D (318mm x 318mm x 151.9mm)
- ▶ Cut-out Diameter: 11.3" (287mm)
- ▶ Mounting Depth: 5.58" (141.8mm)
- ▶ Input Type: Gold-plated spring-loaded binding posts
- ▶ Product Weight: 8.6 lb. (3.9kg), 9.2 lb. (4.2kg) with one grille
- ▶ Shipping Weight: 12.5 lb. (5.7kg)
- ▶ Shipping Units of Measure: Each
- ▶ Warranty: 5 Years

JBL SCL-5

2-Way 7-inch (180mm) In-Ceiling Loudspeaker



HARMAN International Industries, Incorporated
8500 Balboa Boulevard, Northridge, CA 91329 USA
www.jblsynthesis.com

© 2021 HARMAN International Industries, Incorporated. All rights reserved. JBL and JBL Synthesis are trademarks of HARMAN International Industries, Incorporated, registered in the United States and/or other countries. Features, specifications and appearance are subject to change without notice.